

ADJUSTABLE JET CONE

RB65 SPRAY NOZZLE

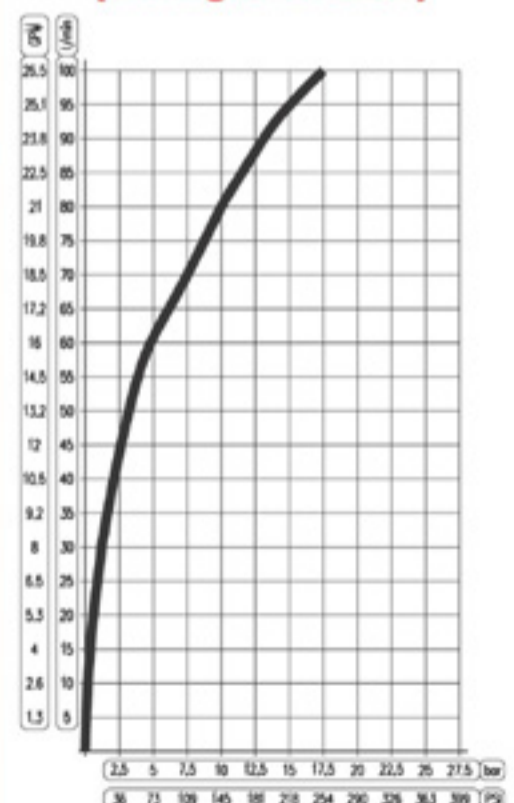
Low Pressure Spray Nozzle for Hygienic Cleaning Applications



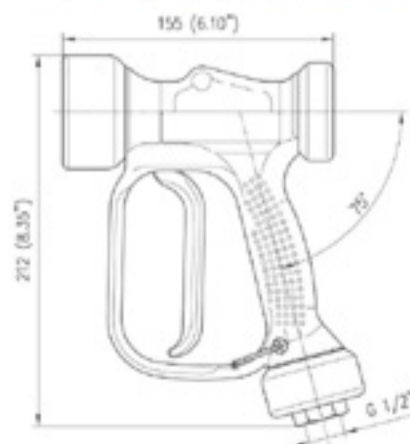
Technical Specifications

Rated Pressure	24 bar (350 PSI)
Max. Flow Rate	100 l/min (26.5 GPM)
Max. Working Temp.	90°C (195°F)
Flow Factor	FP. 100
Trigger Aperture Force	30 N (6.6 lbf.)
Trigger Holding Force	10 N (2.2 lbf.)

Pressure - Flow Chart (Straight Nozzle)



Overall Dimensions



Sanitary
Process
Components

3711 Vineland Road
Orlando, Florida 32811

877-288-8644

Fax: 407-650-8944

e-mail: sales@spc-fl.com