



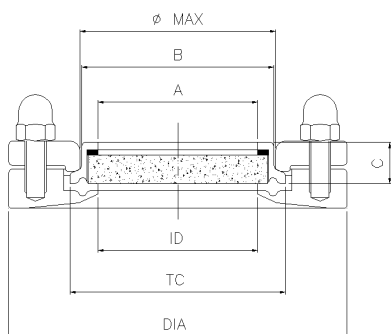
## TK- SIGHT GLASS Dimensions

### Put a window in your processing systems with the Sanitary TK- SIGHT GLASS

Designed to fit the flush mount TK-Connection System to offer clear visibility to your process

#### Advantages :

- Fast and simple installation and maintenance
- Extremely compact construction
- Eliminate dead leg
- No product entrapment
- No air pockets during sterilization
- Special size available per drawing request



TK-Connection fitted with MA-Sight glass

dimensions table (mm)

CODE	DIA	TC	ID	φ max	A	B	C	Borosilicate glass OD	glass Thk	P max	T max
TK.MA.C15.35.0	85.0	50.4	34.8	45.0	35.0	44.0	13.0	40.5	8	10.3 bar	150°C
TK.MA.C20.35.0	100.0	64.0	47.5	20.0	47.5	56.0	13.5	52.5	8	10.3 bar	150°C
TK.MA.C25.35.0	112.0	77.5	60.2	45.0	60.0	70.0	14.0	66.0	8	10.3 bar	150°C
TK.MA.C30.35.0	130.0	91.0	72.9	45.0	72.5	84.0	14.0	78.5	8	10.3 bar	150°C
TK.MA.C40.35.0	170.0	119.0	97.4	45.0	84.0	110.0	16.0	104.5	10	10.3 bar	150°C

In the interests of development and improvement of the product, we reserve the right to change the specifications without prior notice.



#### Operating conditions :

Design Pressure -1bar to 10.3 barg (-14,5 psi to 150 psig)  
Design temperature -80°C to 150°C (-112°F to 302°F)

#### Material :

Locking Ring ASTM A 479 / ASTM A 182 – 316L  
Lens Cover AISI 316L stainless steel  
Glass Lens Borosilicate tempered glass to DIN 7080  
Lens cushion gaskets PTFE  
Clamp gasket Silicone, EPDM, Viton (optional)

**Surface finish :** TK-Connection product contact surface: 15 – 20 Ra

**Marking:** Each TK-Connection is marked with Heat No. for full lot traceability