

Non-Glass Flo-View Sanitary Flow Indicator

Put a window in your processing system with the Non-Glass Sanitary Flow Indicator!

The NGS Series Sanitary Flow Indicator are designed especially for applications where glass is NOT permitted.

APPLICATIONS

- Powder
- Bulk Solids
- Food Handling
- Beverages
- Dairy
- Liquids
- Clean systems



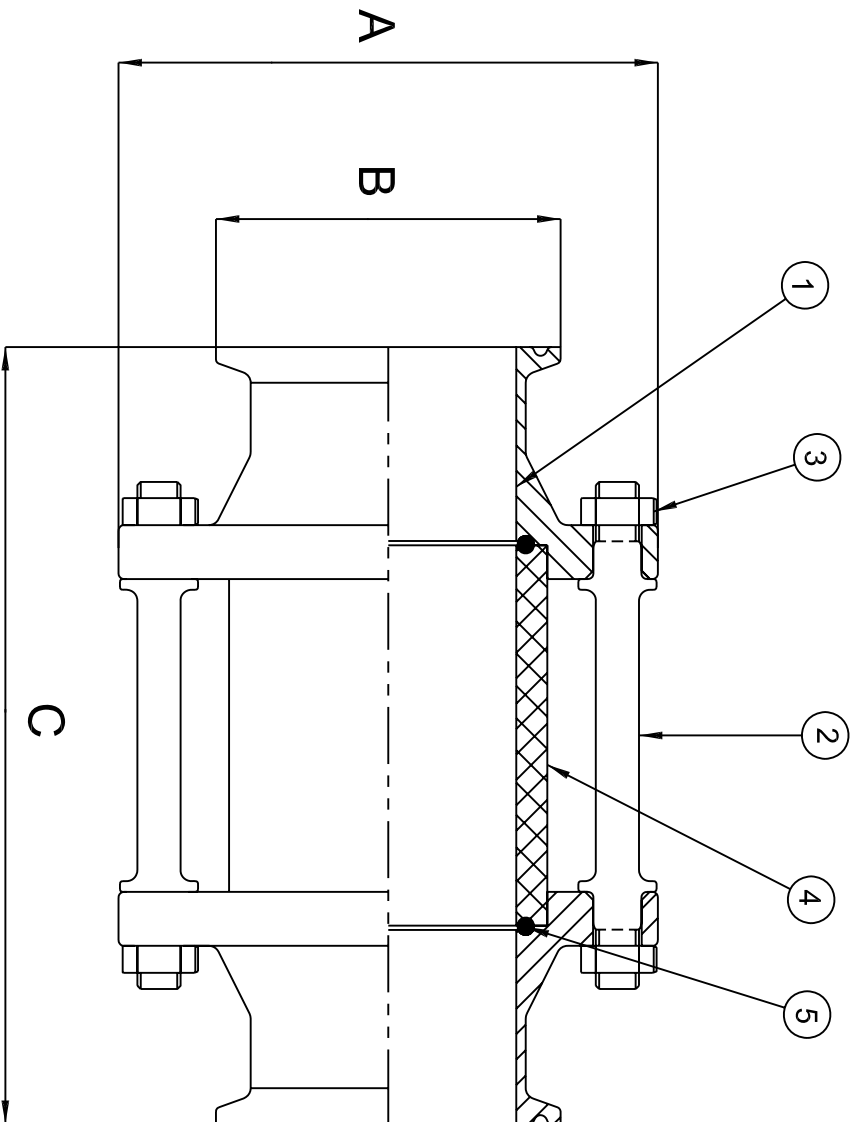
The NGS Sanitary Flow Indicator is ideal for sanitary pigging.

FEATURES

- Full 360° viewing
- Full bore size – no pressure drop
- Non-glass-Polycarbonate globe
- Stainless Steel (316L) sanitary clamp ends
- Unique o-ring seal design minimizes bacteria traps
- Built-in mechanical stop design – no over compression of globe and o-rings
- Easy assembly / disassembly
- Stainless steel nut with nylon bushings
- Meets FDA and 3A specifications

REVISION HISTORY		
REV	DESCRIPTION	DATE

APPROVED



CLAMP SIZE	A	B	C
1.5"	82 mm	50.5 mm	102.5 mm
2"	100 mm	63.9 mm	144.0 mm

SERVICE RATINGS			
SIZE	@70 Deg. F	@94 Deg. F	
1.5"	500 psi	100 psi	
2"	450 psi	150 psi	

NOTE: Service ratings are based on hydrostatic tests using Buna (FDA) material O-rings with proper expansion of ferrules, assembly of joints and absence of shock pressure. All ratings shown are dependent upon related components in the system, and proper installation.

ITEM	DESCRIPTION	QTY	MATERIAL
1	TRICLAMP FLANGE	2	316L STAINLESS STEEL
2	SPACER	3 or 4	304 STAINLESS STEEL
3	NUT	6 or 8	SS304 WITH NYLON BUSHINGS
4	GLOBE	1	POLYCARBONATE
5	O-RING	2	BUNA, OPTIONAL EPDM, VITON

NAME	DATE	Sanitary Process Components, Inc.
DRAWN j4	03/07/13	Tel: 919-981-16594 Fax: 919-981-16594
CHECKED		
ENG APPR		
MGR APPR		
UNLESS OTHERWISE SPECIFIED DIMENSIONS ARE IN MILLIMETERS X.XX" ±0.01" X.XXX" ±0.005" X.X mm ±0.25 mm X.XX mm ±0.12 mm	SIZE/DWG NO	REV
	A/2	A
	FILE NAME: Flow Indicator Assembly.dft	
	SCALE:	WEIGHT:
		SHEET 1 OF 1